

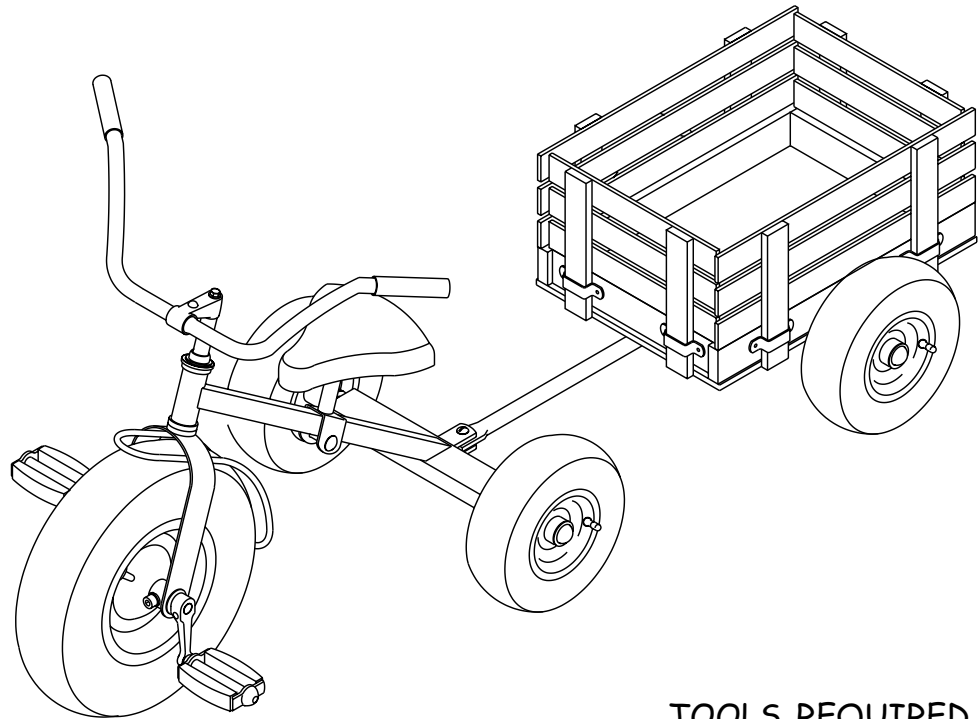
# Yerf-Dog™

## OWNER'S MANUAL TRICYCLE/WAGON MODEL 34000

For Replacement Parts or Service please call our  
CUSTOMER ASSISTANCE DEPARTMENT

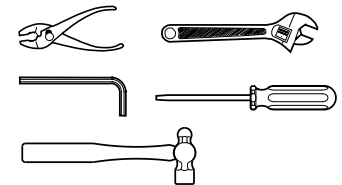
**1-888-926-6554**

Monday - Friday  
8:00 a.m. - 7:00 p.m.  
Central Time Zone



Please retain this manual for future reference. This instruction manual contains assembly instructions, safety and maintenance tips, replacement parts ordering and warranty information.  
**Adult assembly required. Contains small parts.**  
Recommended ages: 4-7 years.

### TOOLS REQUIRED



## Flexible Flyer

100 Tubb Avenue West Point, Mississippi 39773

7-18-01

02013

## PLEASE READ THE FOLLOWING BEFORE BEGINNING ANY ASSEMBLY

Read the instructions and become familiar with each assembly step and parts before starting assembly. Lay out all unassembled parts; group together the items you will need to complete each step. Do not destroy the packing and carton until the unit is completely assembled.

Save this manual, it contains important information on use and maintenance.

## SAFETY WARNINGS AND RULES FOR SAFE OPERATION

1. Ride-on toys should not be used on hills, roadways, wet, slippery or rough terrain, inclines, sloped driveways or alleys, near swimming pools, stairways, or steps, around moving or parked cars, or in congested areas. Use common sense.
2. This play vehicle is not equipped with a braking device. It must be assembled by an adult prior to use, and it is designed and manufactured for off street use only.
3. Keep small parts, hardware, and plastic bags out of the reach of children. Be sure the unit is correctly assembled before allowing a child to ride it.
4. Instruct the rider not to ride double. A second child could cause the unit to tip over. Instruct the rider not to carry anything on the unit that might interfere with his/her vision. The rider should never place their hands, feet or any part of their body, clothing or other articles near moving parts while the unit is being operated.
5. Never leave the rider unattended! Parent's supervision is advised at all times. Children should always wear shoes when riding this product and they should never be allowed to ride at dusk or after dark.
6. An adult must assemble this tricycle. Keep small loose parts and plastic bags out of the reach of children.
7. Adult supervision is necessary.
8. Never allow a child to ride the tricycle without wearing a bicycle helmet which complies with CPSC, ANSI Z90.4 or Snell requirements.

# MAINTENANCE

## INSPECTION

1. Frequently check the tricycle and replace any damaged, missing, or badly worn parts.
2. Frequently check the tricycle and make sure all fasteners are tight.

## CLEANING

1. Product may be cleaned with a mild household detergent and warm water.

## LUBRICATION

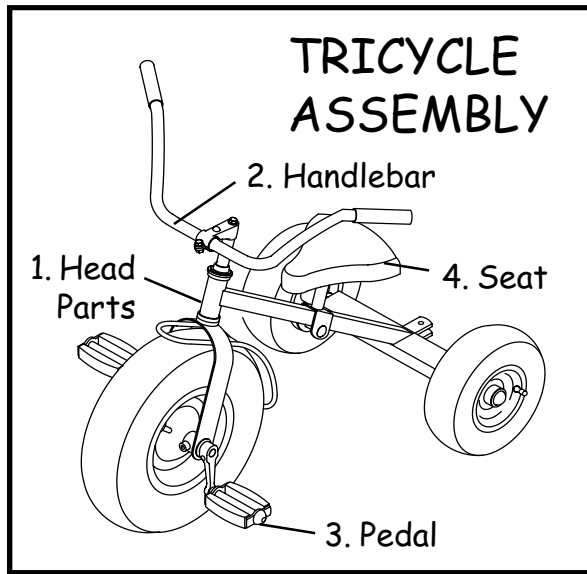
1. No lubrication is required
2. Do not oil the plastic or nylon parts.

## HANDLEBAR ADJUSTMENT

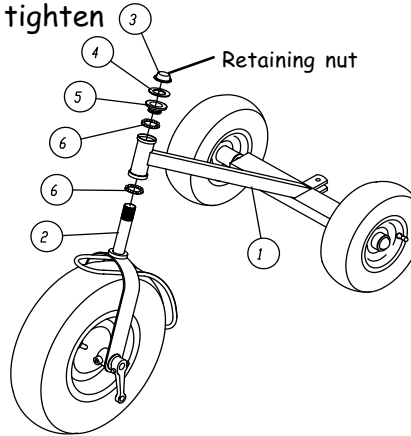
1. If the rider is shorter, put more of the handlebar down into the fork.
2. If the rider is taller, put less of the handlebar down into the fork.

## SEAT ADJUSTMENT

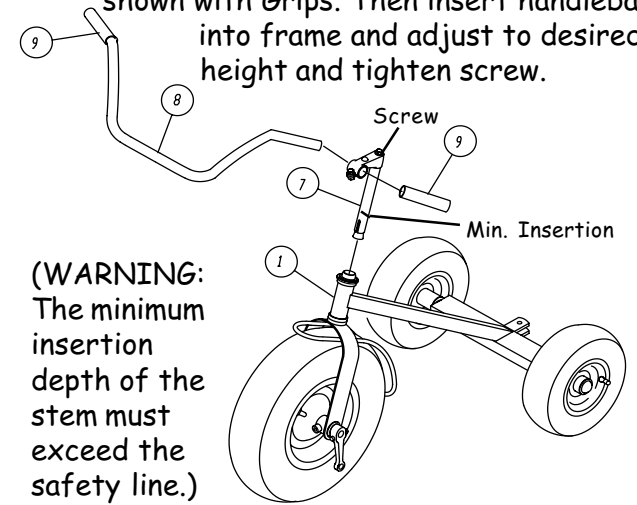
1. If the rider is shorter, position the seat closer to the handlebar.
2. If the rider is taller, position the seat further from the handlebar.



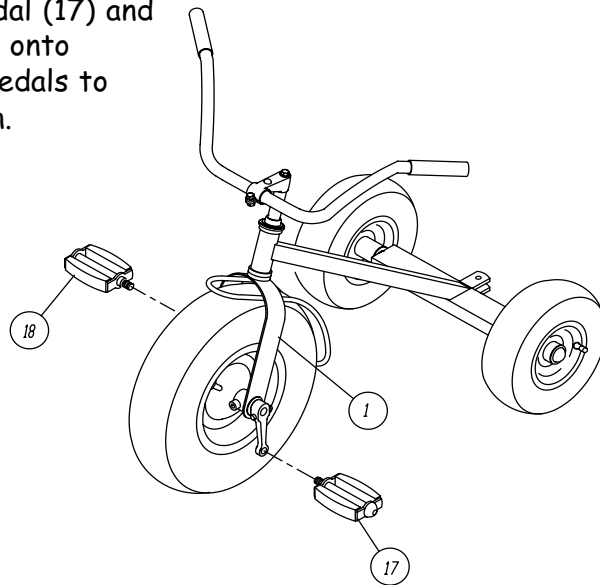
**1 Head Parts**  
 Assemble Head Parts (3, 4, 5, and 6) into Fork (2). Insert Fork into Frame (1). Position retaining nut and tighten



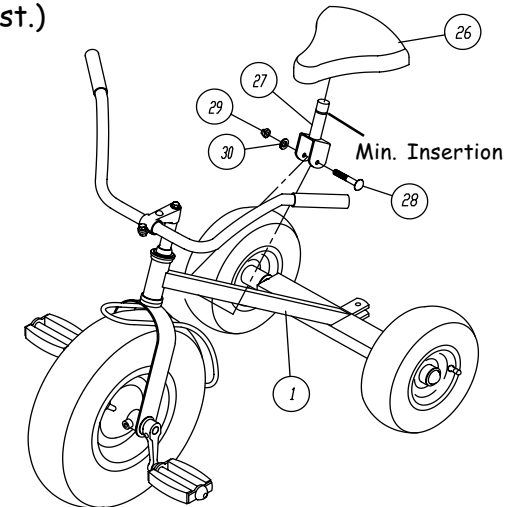
**2 Handlebar**  
 Install Handlebar into handlebar stem as shown with Grips. Then insert handlebar into frame and adjust to desired height and tighten screw.



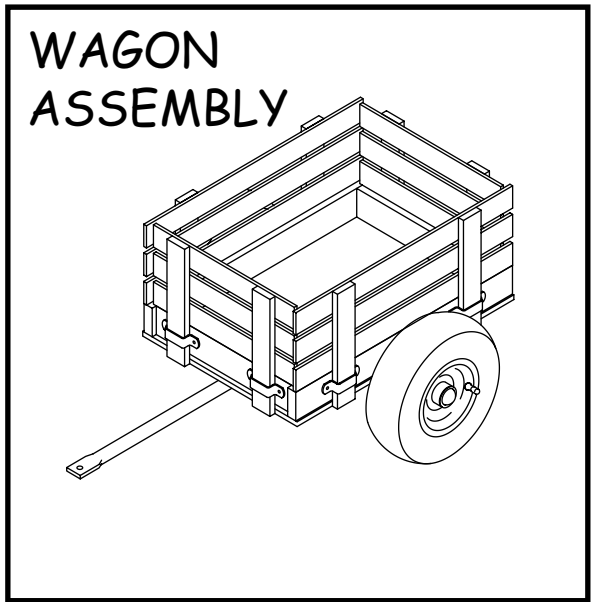
**3 Pedal**  
 Attach Left Pedal (17) and Right Pedal (18) onto crank. Secure pedals to axle and tighten.



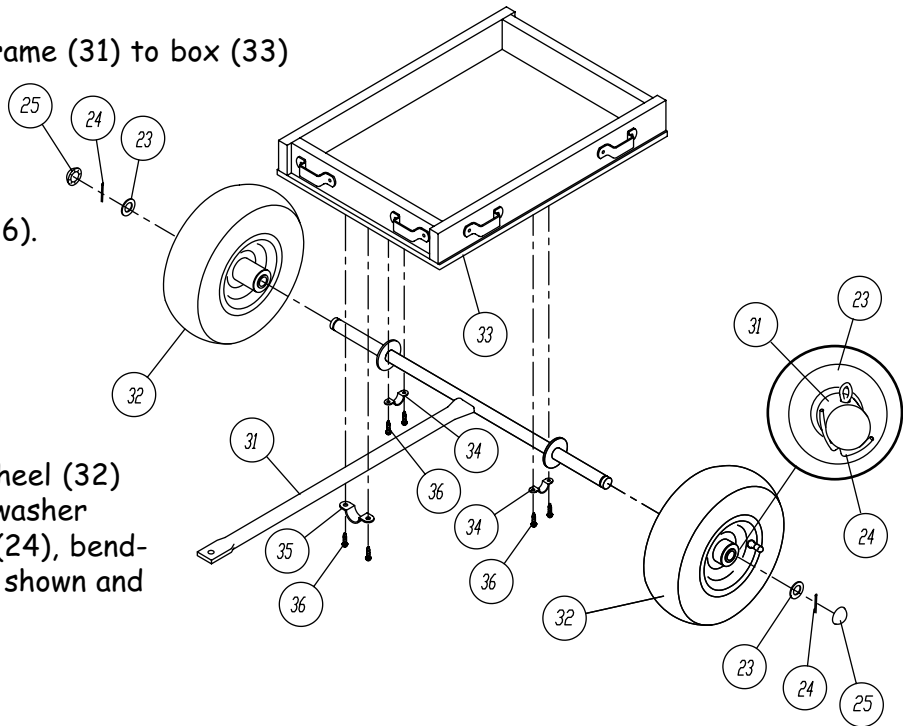
**4 Seat**  
 Attach Seat Post (27) to desired position on Frame Tube (1) and secure Seat (26) to Seat Post, then tighten with hardware shown. (WARNING: Make sure to tighten Seat Clamp exceeding minimum insertion safety line of seat post.)



Tighten all hardware

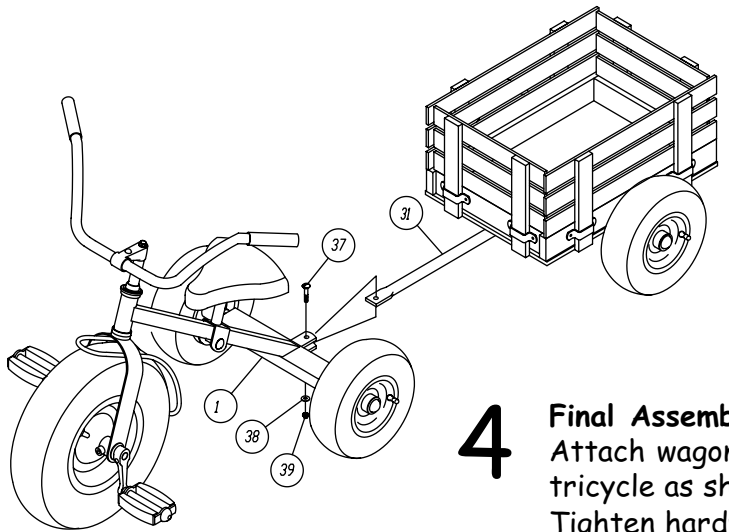
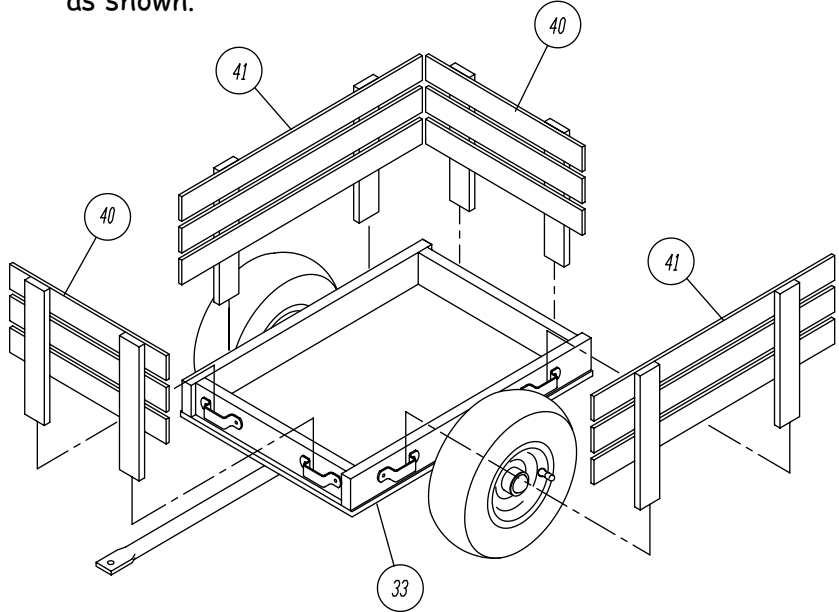


**1 Box**  
 Attach frame (31) to box (33) using hardware shown. Tighten screws (36).



**2 Wheels**  
 Attach wheel (32) Insert a washer (23), Pin (24), bending Pin as shown and Cap (25).

**3 Fences**  
 Attach fences (40 & 41) to box (33) as shown.

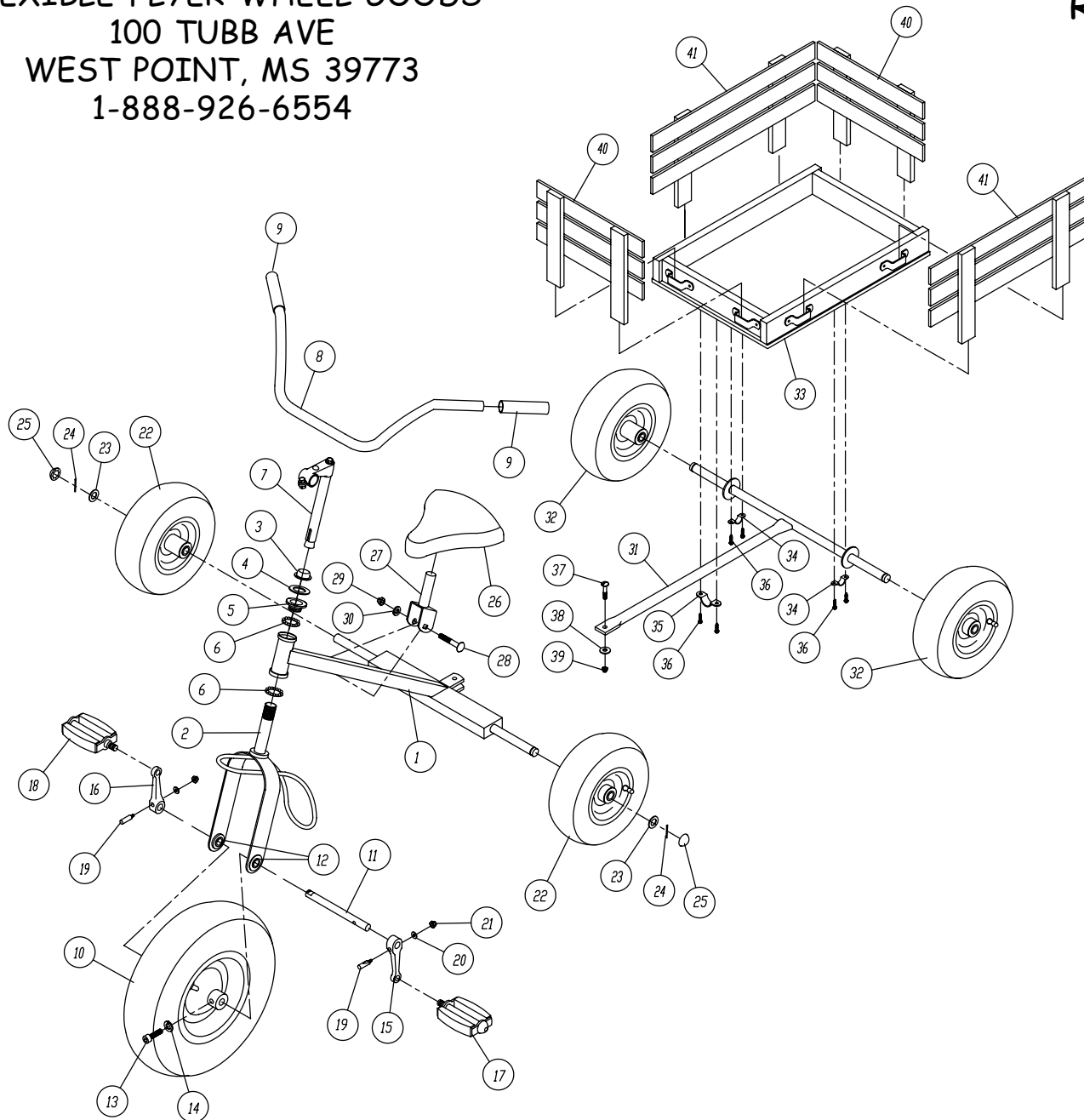


**4 Final Assembly**  
 Attach wagon to tricycle as shown. Tighten hardware.

FLEXIBLE FLYER WHEEL GOODS  
 100 TUBB AVE  
 WEST POINT, MS 39773  
 1-888-926-6554

## REPLACEMENT PARTS

### PARTS LIST



Item	Part No.	Description	Qty.
1	01846	FRAME, TRICYCLE	1
2	02030	FORK, TRICYCLE	1
3	11259	LOCK NUT	1
4	21259	WASHER	1
5	31259	TOP CONE	1
6	41259	BALL BEARING	2
7	51259	HANDLEBAR STEM	1
8	02037	HANDLEBAR	1
9	61259	GRIP	2
10	02031	WHEEL, FRONT LARGE	1
11	71259	AXLE, SHORT	1
12	81259	FRONT FORK BEARING	2
13	02033	SCREW, FRONT WHEEL	1
14	91259	AXLE NUT WASHER	1
15	101259	CRANK, LEFT	1
16	111259	CRANK, RIGHT	1
17	02034	PEDAL, LEFT	1
18	02035	PEDAL, RIGHT	1
19	02036	CRANK PIN	2
20	121259	CRANK PIN WASHER	2
21	131259	CRANK PIN NUT	2
22	02045	WHEEL, REAR SMALL	2
23	141259	AXLE FIXED WASHER	4
24	151259	AXLE FIXED PIN	4
25	02050	AXLE CAP, PLASTIC	4
26	02039	SEAT	1
27	02038	SEAT POST	1
28	01834	BOLT, 3/8" X 2" X CARRIAGE	1
29	01842	NUT, 3/8"	1
30	161259	WASHER, 3/8"	1
31	02040	FRAME WAGON	1
32	171259	WHEEL, WAGON	2
33	02041	BOX, WAGON	1
34	02043	CLAMP, SMALL 5/8"	2
35	02042	CLAMP LARGE 7/8"	1
36	181259	CLAMP BOLT	6
37	000057P	BOLT, 5/16" X 2" ROUND	1
38	191259	WASHER, 5/16"	1
39	000324P	CAP NUT, 5/16"	1
40	02048	FENCE, SHORT	2
41	02047	FENCE, LONG	2

# LIMITED WARRANTY

Part or model specifications are subject to change without notice.

This Limited Warranty is the only warranty for your tricycle. There are no other express or implied warranties. The only uses for this product are described in this manual. Warranty registration is not required. The Limited Warranty extends only to the original consumer and is not transferable to anyone else.

## **What does this Limited Warranty cover?**

This Limited Warranty covers all parts of the tricycle.

## **What must you do to keep the Limited Warranty in effect?**

This Limited Warranty is effective only if:

- The tricycle is completely and correctly assembled;
- The tricycle is used under normal conditions for its intended purpose (see this manual for excluded activities);
- The tricycle receives all necessary maintenance and adjustments.

## **What is not covered by this Limited Warranty?**

The tricycle is designed for use by children as a beginner's tricycle. It is not designed for use on public roads. This Limited Warranty does not cover normal wear and tear, normal maintenance items, or any damage, failure, or loss that is caused by improper assembly, maintenance, adjustment, storage, or use of the tricycle. This limited Warranty will be void if the tricycle is ever:

- Used in any competitive sport;
- Used for stunt riding, jumping, aerobatics or similar activity;
- Installed with a motor or modified in any other way;
- Ridden by more than one person at a time;
- Rented;
- Used in a manner contrary to the instructions in this Owner's Manual.

The Manufacturer will not be liable for loss or damage, whether direct, indirect, special, or consequential due directly or indirectly from use of this product. Some states do not allow this exclusion so the above limitation may not apply to you.

## **For how long does this warranty last?**

The frame and fork are warranted for life. All other components are warranted for six (6) months for the date of purchase.

## **What will the manufacturer do?**

The manufacturer will replace, without charge to you, any frame, fork, or component found to be defective by the manufacturer. The original owner must pay all labor and transportation charges with the repair or warranty work.

## **How do you get Service?**

Phone the Consumer Service Department at 1-888-926-6554.

## **What rights do you have?**

This warranty gives you specific legal rights. You may also have other rights which vary from state to state.